

Screwed globe valve

VG

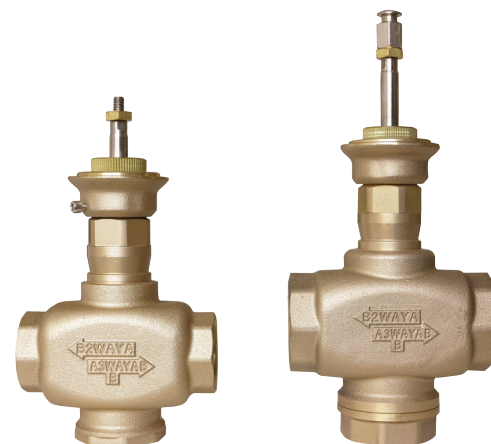
Description



The globe valves in brass serie VG are used in heating, refrigeration and air-conditioning systems for the flow control of heated or chilled water for domestic and industrial applications. The valves are motorized by the electric actuators serie AVG at 600 and 1000 N.

Technical specifications

Fluids type	Hot and cold water (with glycol max. 50%)
Fluid temperature	-10...100°C
Nominal pressure	1600 kPa max (16 bar)
Control flow characteristics	Equal-percentage (linear on angle way)
Rangeability	50 : 1
Leakage	< 0,05% of KVs
Connections	BSP female thread
Stroke	See schedule
Installation position	Horizontal or vertical
Maintenance	Free
Body	Brass
Plug	Ottone
Valve stem	Stainless steel 302
Stem packing	PTFE
Dimensions and weight	See schedule



2 ways	Models		DN	KVs	Max differential pressure (bar) (*)	Stroke	Actuator
		3 ways					
VG215		VG315	15	4.0	2.5 (6)	15	AVG6(M)
VG220		VG320	20	6.3	2.5 (6)	15	AVG6(M)
VG225		VG325	25	8	2.5 (6)	20	AVG6(M)
VG232		VG332	32	16	2.5 (5.5)	20	AVG6(M)
VG240		VG340	40	25	2.5 (4.5)	20	AVG6(M)
VG250		VG350	50	40	2 (3)	20	AVG10(M)
VG265		VG365	65	63	2 (2.5)	20	AVG10(M)
VG280		VG380	80	78	2 (2)	20	AVG10(M)

(*) The values in the brackets are the max. differential pressure when valve is fully closed and actuator is still able to open or close the valve with security. In order to avoid wear between plug and seat, we recommend not to overcome the nominal values.

Caution

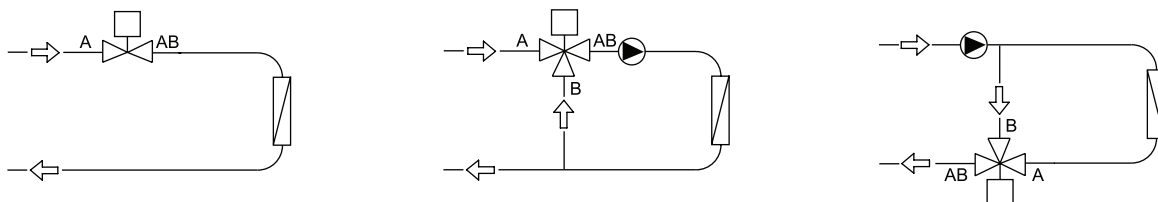
Before valves are mounted, make sure that pipes are clean, free from welding slags, that are perfectly lined up with valve body and not subjected to vibrations. The valve can be mounted in any position except upside-down. While assembling, respect the flow directions indicated by the arrows located on the valve body.

In the 2-way valve, when stem is up, the direct way is open, with stem down direct way is closed.

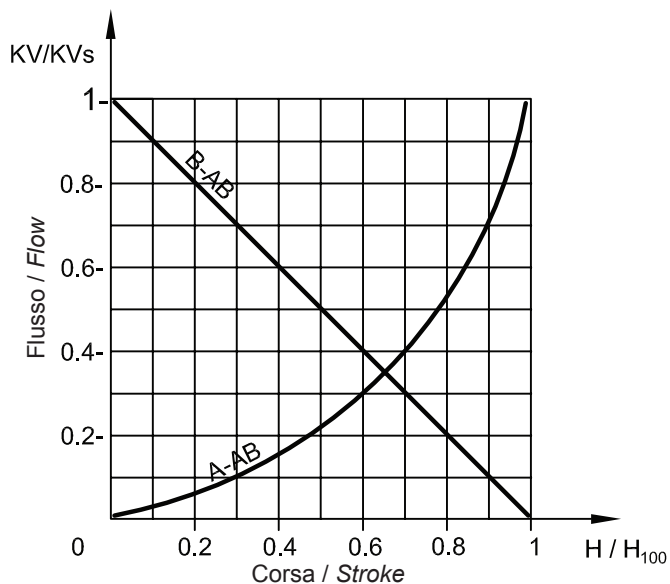
In the 3-way valve, when stem is up, the direct way is closed, with stem down direct way is open.



Installation



Control flow characteristics

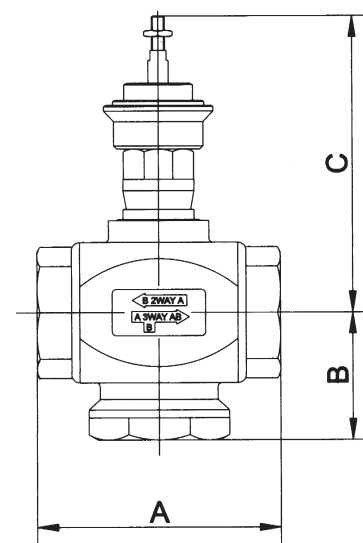


A-AB equal-percentage way
 B-AB bypass linear way
 3-way used as mixing inlet in A and B, outlet AB
 3-way used as diverting inlet in AB, outlet from A and B

AB way constant flow
A way variable flow
B (bypass) way variable flow

Dimensions and weights

Models	Thread	Dimensions (mm)			Weight kg
		A	B	C	
VG215	G1/2	84	38	130	2.2
VG315	G1/2	84	48	130	2.4
VG220	G3/4	84	38	130	2.3
VG320	G3/4	84	48	130	2.5
VG225	G1	104	48,5	135.5	3.5
VG325	G1	104	57,5	135.5	3.8
VG232	G1 1/4	110	50	138	3.7
VG332	G1 1/4	110	62,5	138	4.2
VG240	G1 1/2	120	55	144.5	4.4
VG340	G1 1/2	120	65,5	144.5	5.0
VG250	G2	134	58,5	143.5	5.7
VG350	G2	134	72,5	143.5	6.7
VG265	G2 1/2	160	72,5	152.5	8.5
VG365	G2 1/2	160	90	152.5	9.5
VG280	G3	180	80	158.5	9.5
VG380	G3	180	98,5	158.5	10.5



The contents are subject to revision or change without notice.